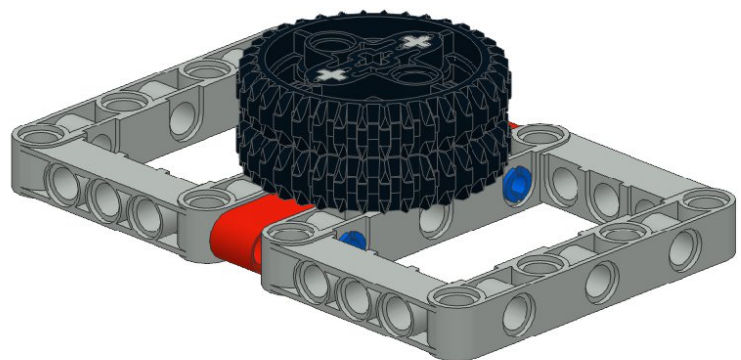
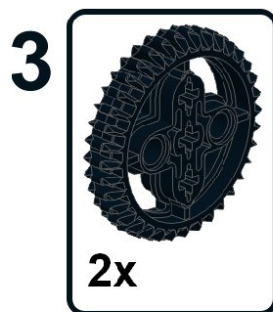
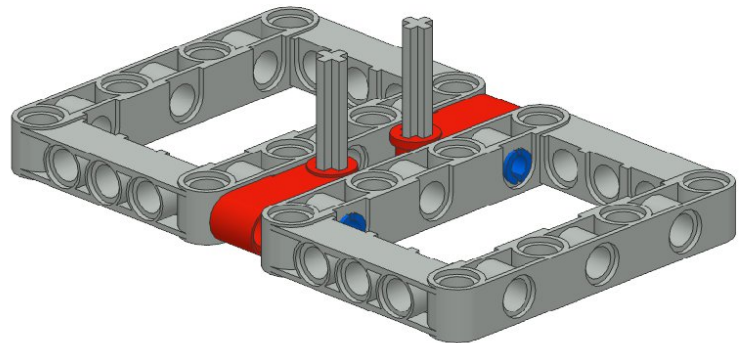
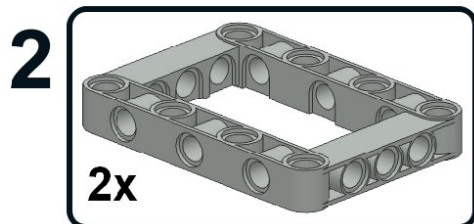
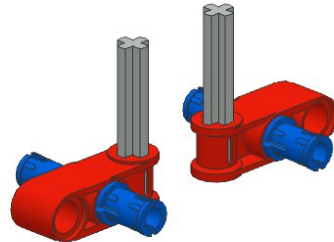
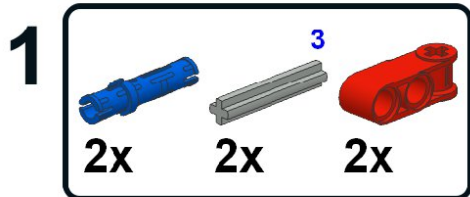
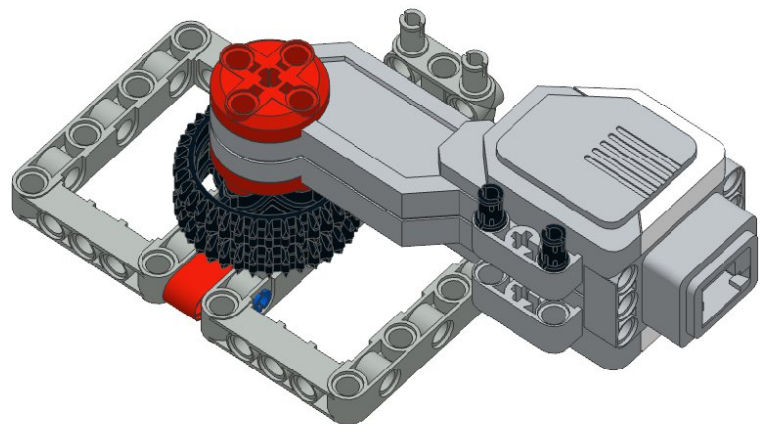
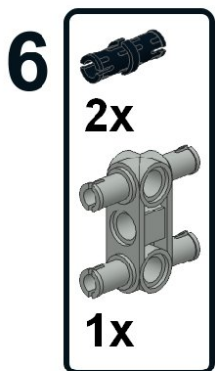
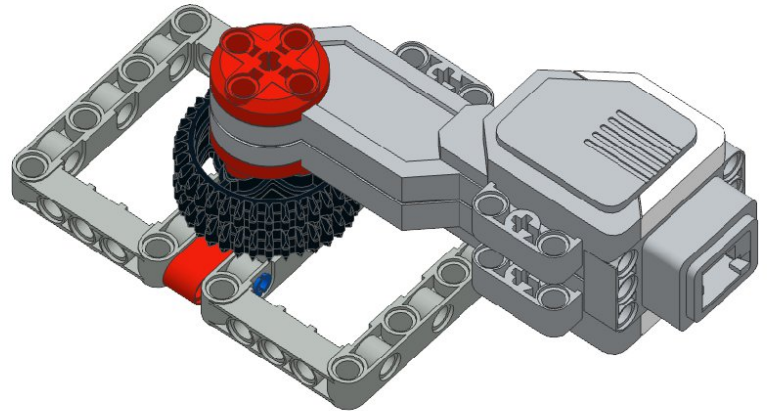
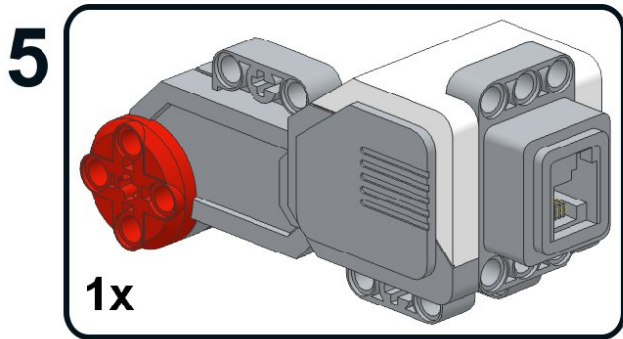
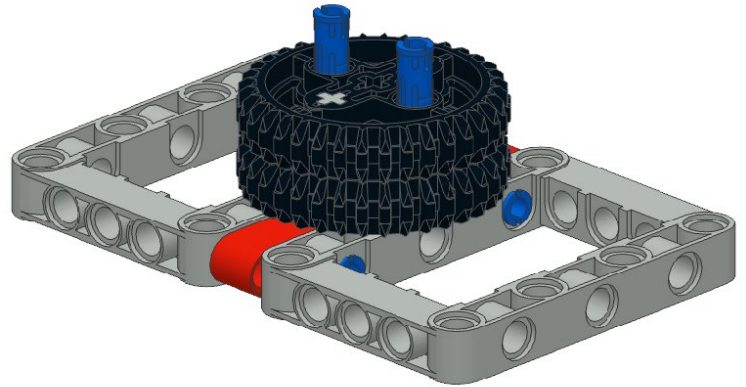


# EV3 Musical Sequencer

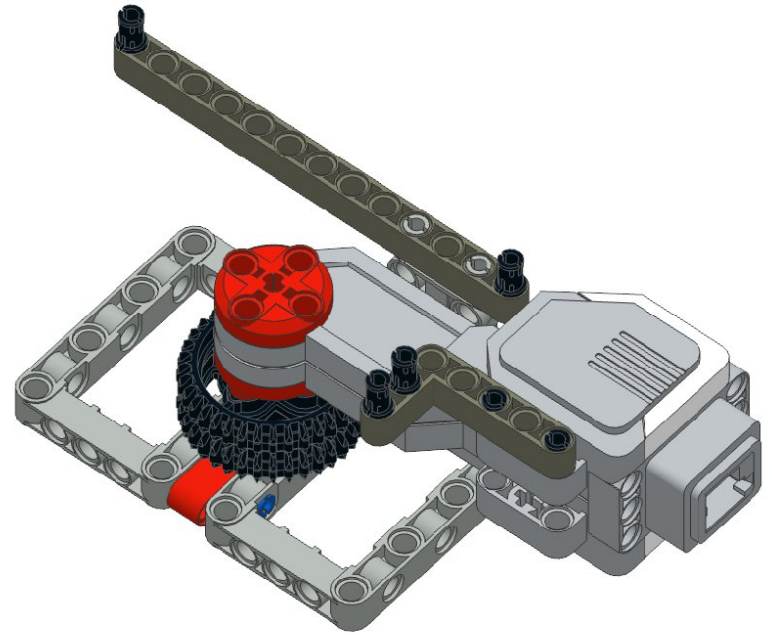
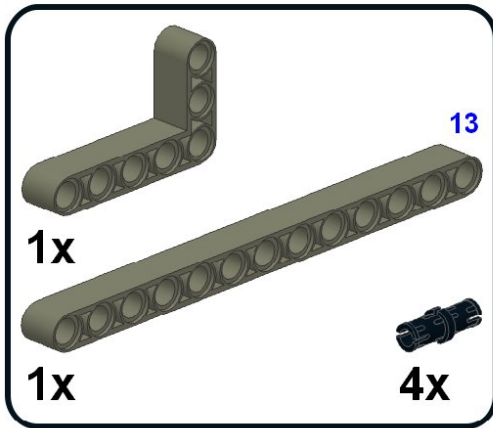


# EV3 Musical Sequencer

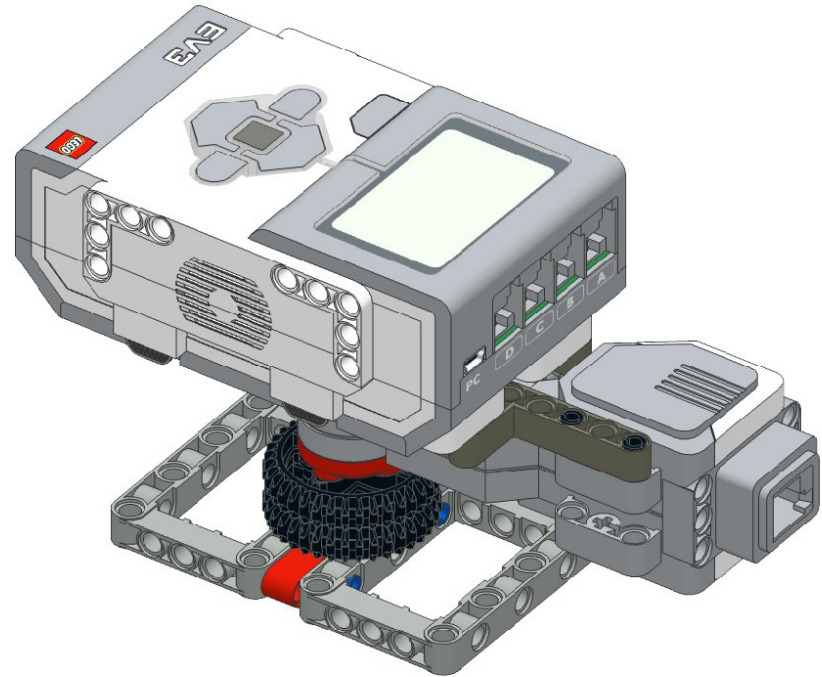
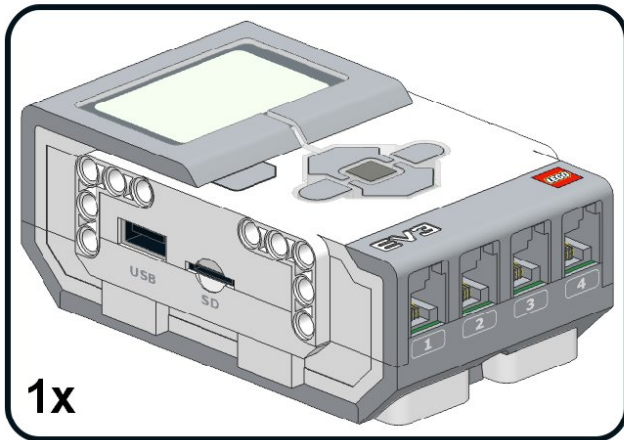


# EV3 Musical Sequencer

7

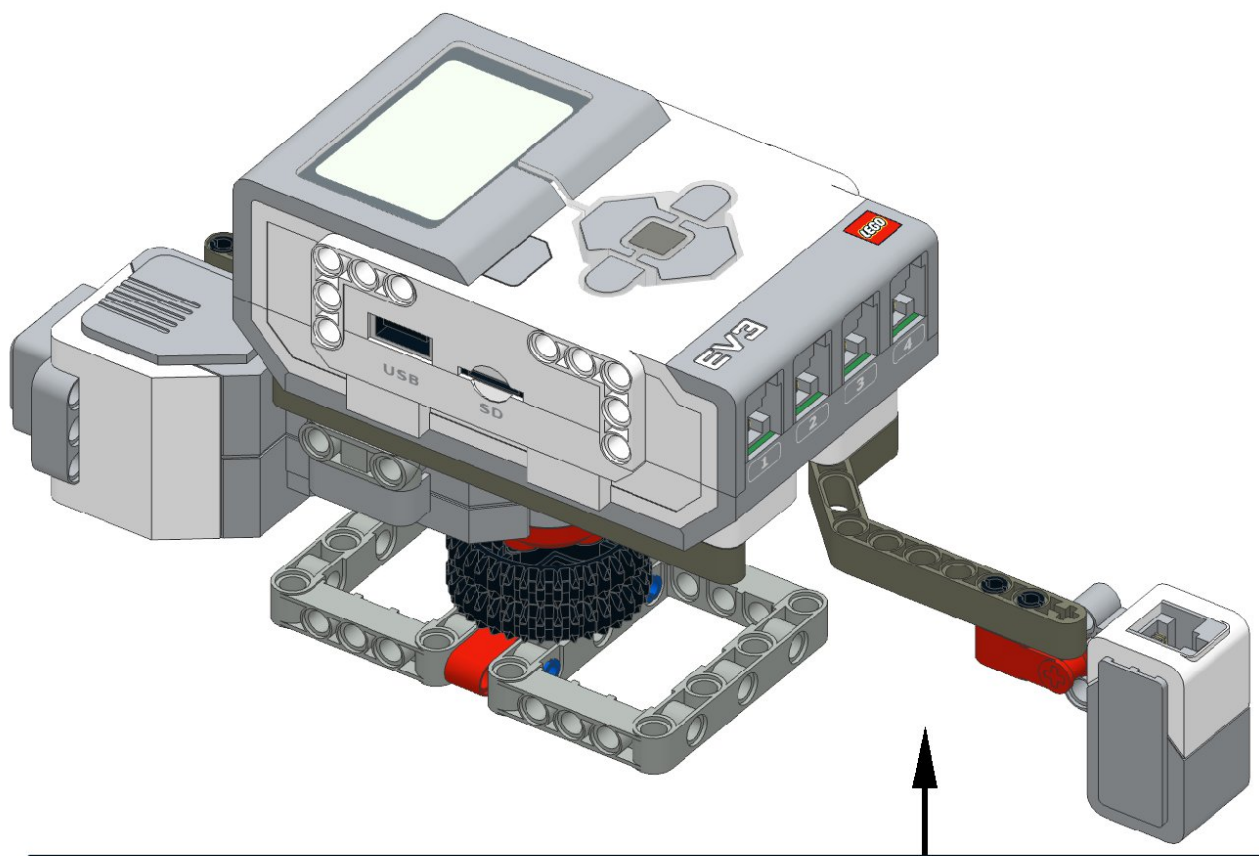


8

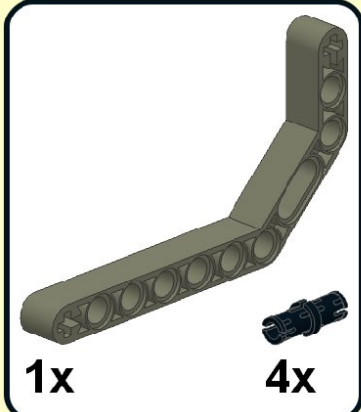




# EV3 Musical Sequencer

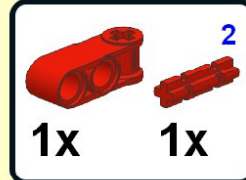


**1**



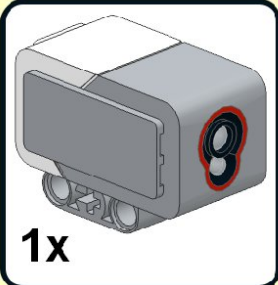
1x 4x

**2**

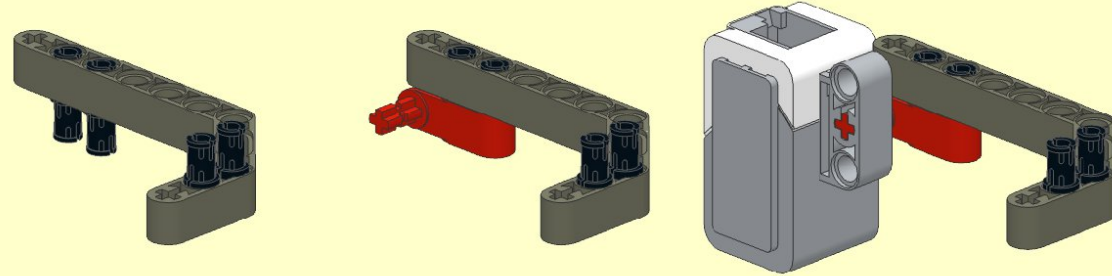


1x 1x

**3**



1x



The sub-assembly diagrams show the motor being mounted onto the bracket. The first diagram shows the motor being placed on the bracket. The second diagram shows the red axle pin being inserted into the motor. The third diagram shows the final assembly with the motor mounted on the bracket.